



BSH SERIES

PVC LINED HOSE CLIP



FIXING HOLE

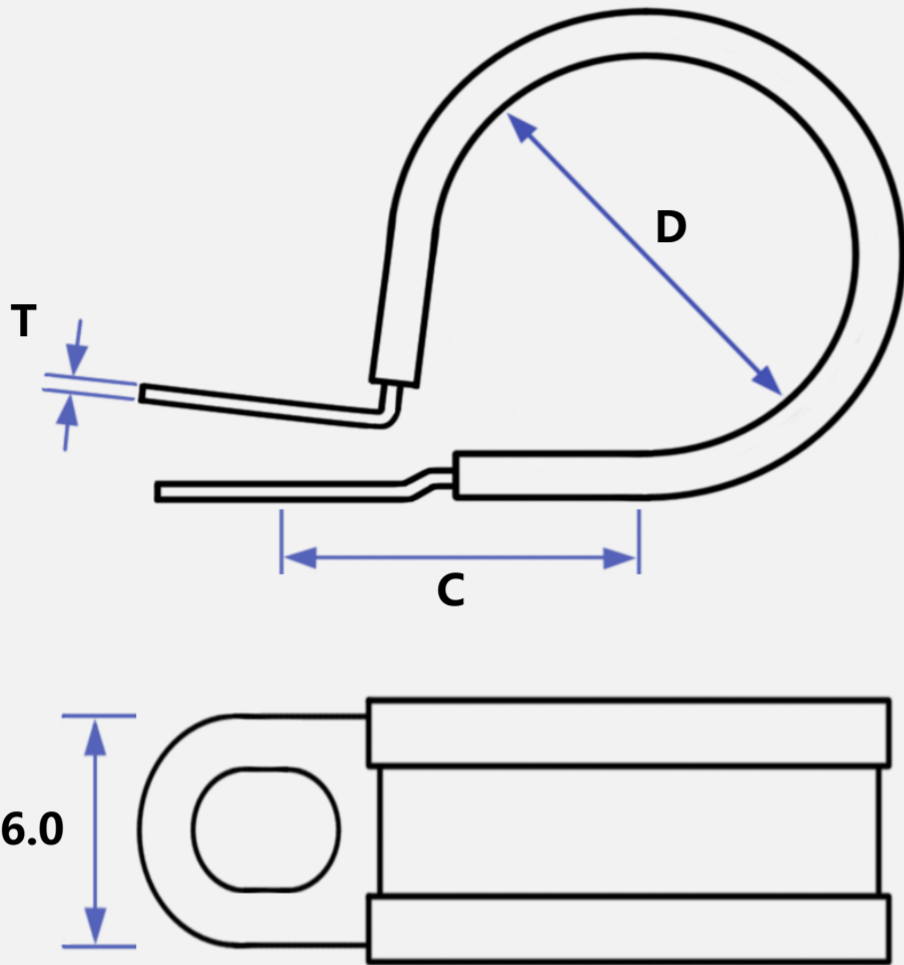
M6



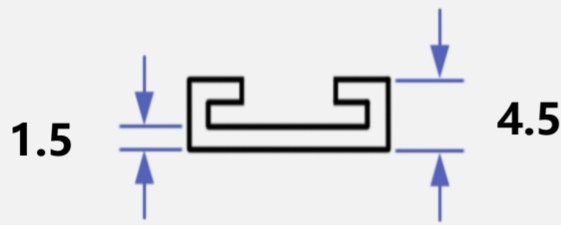
BAND WIDTH

16.0mm

DIMENSIONAL SPECIFICATIONS



SLEEVE DIMENSIONS



FIXING HOLES

Top Ø7.0mm
Bottom 7.0 x 9.0mm

BAND MATERIAL

Zinc Coated Mild Steel

LINER MATERIAL

Black Flexible PVC to BS2571

**Alternative Liners available
on request**



Part Ref	Diameter D mm	Diameter D Inch	Centre C mm	Gauge T mm
BSH060	6.0	0.236	13.70	0.7
BSH080	8.0	0.312	14.70	0.7
BSH090	9.0	0.354	15.20	0.7
BSH100	10.0	0.393	15.70	0.7
BSH105	10.5	0.413	16.00	0.7
BSH110	11.0	0.433	16.20	0.7
BSH120	12.0	0.472	16.70	0.7
BSH130	13.0	0.510	17.20	0.7
BSH140	14.0	0.551	17.70	1.0
BSH150	15.0	0.590	18.50	1.0
BSH160	16.0	0.630	19.00	1.0
BSH170	17.0	0.670	19.50	1.0
BSH180	18.0	0.710	20.00	1.0
BSH190	19.0	0.750	20.50	1.0
BSH200	20.0	0.787	21.00	1.0
BSH210	21.0	0.825	21.50	1.0
BSH220	22.0	0.866	22.00	1.0
BSH230	23.0	0.905	22.50	1.0
BSH240	24.0	0.950	23.00	1.0
BSH250	25.0	0.984	23.50	1.0
BSH260	26.0	1.023	24.00	1.0
BSH270	27.0	1.060	24.50	1.0
BSH280	28.0	1.102	25.00	1.0
BSH290	29.0	1.141	25.50	1.0
BSH300	30.0	1.181	26.00	1.0
BSH310	31.0	1.220	26.50	1.0
BSH320	32.0	1.260	27.00	1.0
BSH340	34.0	1.340	28.00	1.0
BSH350	35.0	1.378	28.50	1.0
BSH360	36.0	1.417	29.00	1.0
BSH370	37.0	1.460	29.50	1.0
BSH380	38.0	1.500	30.00	1.0
BSH400	40.0	1.575	31.00	1.0
BSH450	45.0	1.771	33.50	1.0
BSH500	50.0	1.962	37.50	1.0
BSH520	52.0	2.047	37.50	1.0
BSH615	61.5	2.421	41.75	1.0
BSH630	63.0	2.480	42.50	1.0
BSH700	70.0	2.760	46.00	1.0
BSH750	75.0	2.952	48.50	1.0
BSH900	90.0	3.540	56.00	1.0

**MOST ITEMS AVAILABLE EX-STOCK
DISCOUNTS AVAILABLE ON VOLUME ORDERS**

BIRMINGHAM SPECIALITIES LTD

Lincoln Works, Moor Lane, Witton, Birmingham
B6 7HE, United Kingdom

www.bhamspec.co.uk

+44 (0) 121 356 5026

+44 (0) 121 356 9198

sales@bhamspec.co.uk

