



BSL 19 SERIES

PVC LINED HOSE CLIP



FIXING HOLE

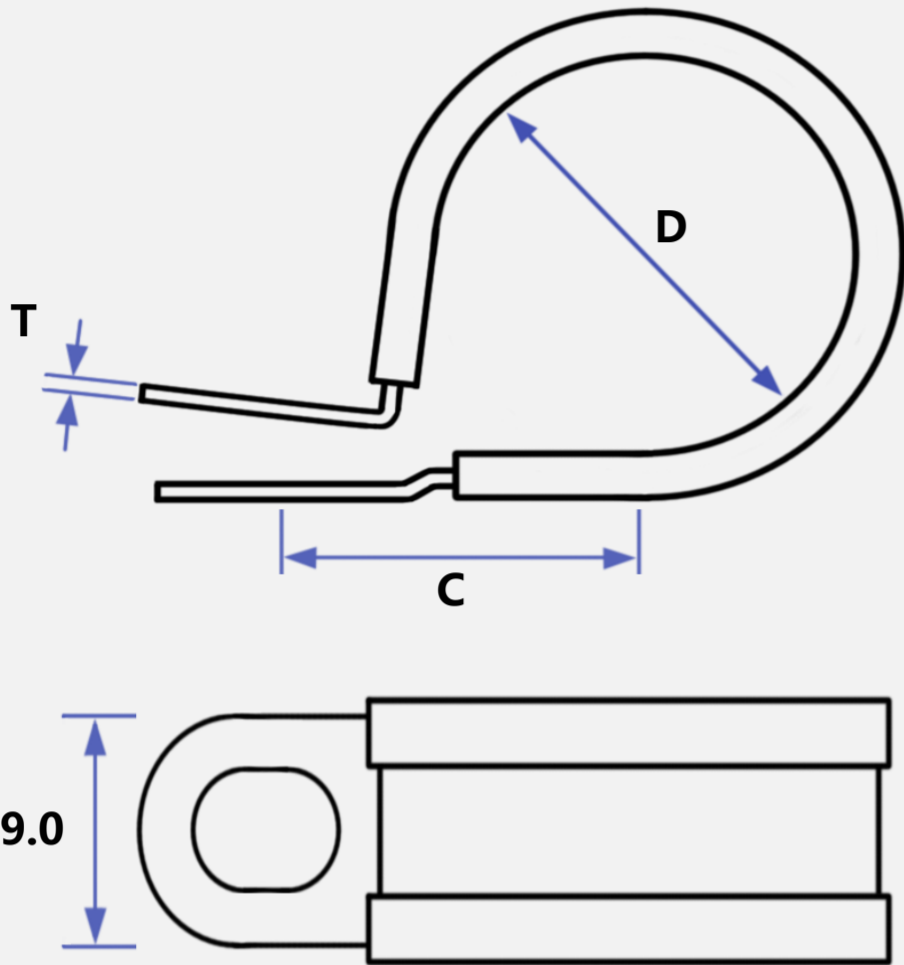
M12



BAND WIDTH

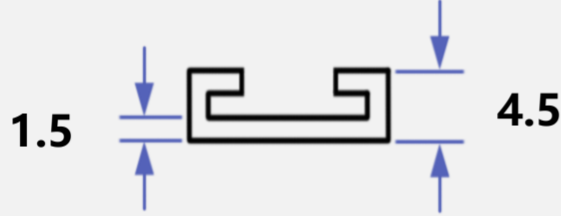
19.0mm

DIMENSIONAL SPECIFICATIONS



Part Ref	Diameter D Inch	Diameter D mm	Centre C mm	Gauge T mm
BSL038	0.38	9.65	20.30	0.9
BSL050	0.50	12.70	20.00	0.9
BSL056	0.56	14.25	21.90	0.9
BSL059	0.59	15.00	21.00	0.9
BSL062	0.62	15.75	21.50	0.9
BSL066	0.66	16.75	22.00	0.9
BSL070	0.70	18.00	23.00	0.9
BSL075	0.75	19.00	24.00	1.2
BSL078	0.78	20.00	24.50	1.2
BSL083	0.83	21.00	25.00	1.2
BSL086	0.86	22.00	25.50	1.2
BSL091	0.91	23.00	25.80	1.2
BSL095	0.95	24.00	26.50	1.2
BSL098	0.98	25.00	27.00	1.2
BSL106	1.06	27.00	28.00	1.2
BSL118	1.18	30.00	29.00	1.2
BSL150 X 3/4	1.50	38.00	32.00	1.2
BSL175 X 3/4	1.75	44.45	33.50	1.2

SLEEVE DIMENSIONS



FIXING HOLES

Top Ø12.7mm
Bottom 12.7 x 14.2mm

BAND MATERIAL

Zinc Coated Mild Steel

LINER MATERIAL

Black Flexible PVC to BS2571

**Alternative Liners available
on request**



**MOST ITEMS AVAILABLE EX-STOCK
DISCOUNTS AVAILABLE ON VOLUME ORDERS**

BIRMINGHAM SPECIALITIES LTD

Lincoln Works, Moor Lane, Witton, Birmingham
B6 7HE, United Kingdom

www.bhamspec.co.uk

+44 (0) 121 356 5026

+44 (0) 121 356 9198

sales@bhamspec.co.uk