



# BSN EPDM SERIES

## EPDM LINED HOSE CLIP



FIXING HOLE

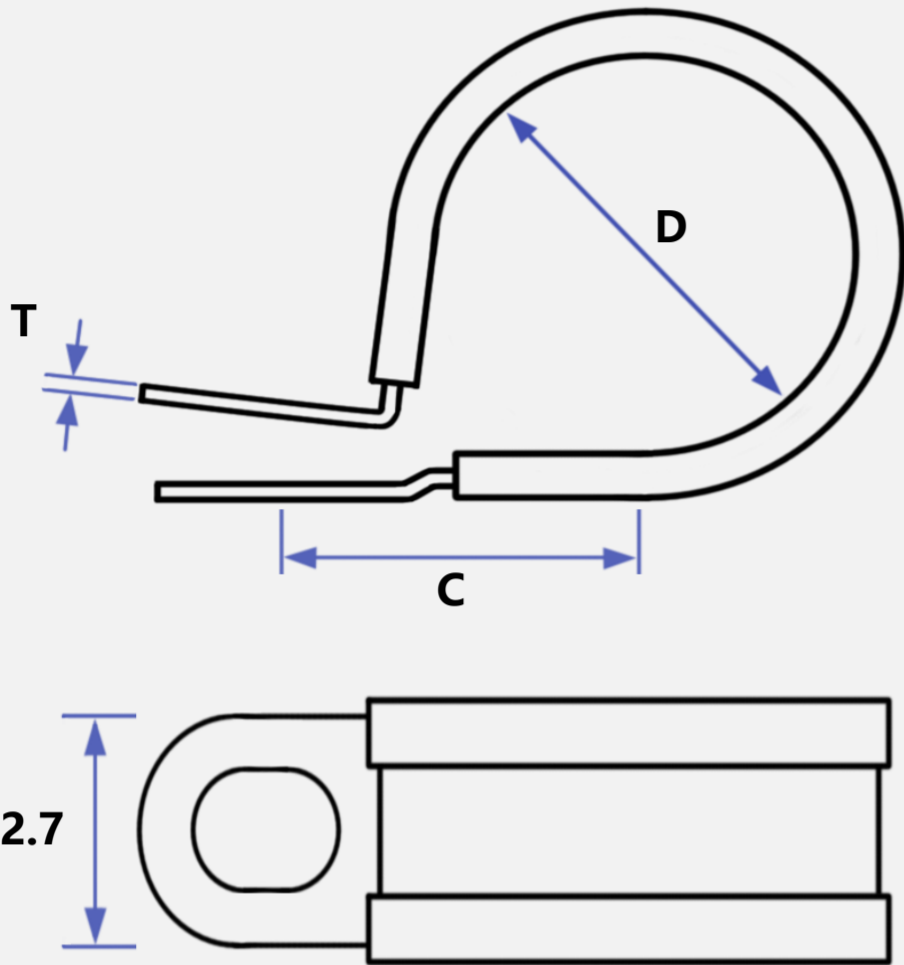
**M4/M5**



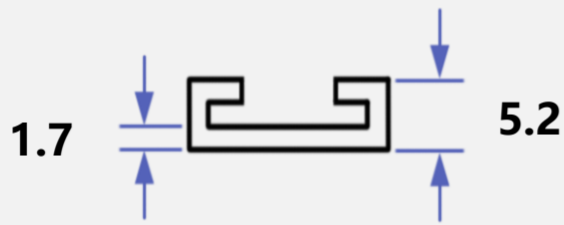
BAND WIDTH

**12.7mm**

### DIMENSIONAL SPECIFICATIONS



### SLEEVE DIMENSIONS



### FIXING HOLES

Top      Ø5.1mm  
Bottom    5.1 x 6.1mm

### BAND MATERIAL

Zinc Coated Mild Steel

### LINER MATERIAL

Black Flexible EPDM 70 IRHD Hardness  
Halogen Free

**Alternative Liners available  
on request**



Part Ref	Diameter D mm	Diameter D Inch	Centre C mm	Gauge T mm
BSN050EPDMX	5.0	0.197	11.25	0.7
BSN060EPDMX	6.0	0.236	11.75	0.7
BSN070EPDMX	7.0	0.275	12.25	0.7
BSN080EPDMX	8.0	0.312	12.75	0.7
BSN090EPDMX	9.0	0.354	13.25	0.7
BSN095EPDMX	9.5	0.375	13.50	0.7
BSN100EPDMX	10.0	0.393	13.75	0.7
BSN105EPDMX	10.5	0.420	14.00	0.7
BSN110EPDMX	11.0	0.433	14.25	0.7
BSN120EPDMX	12.0	0.472	14.75	0.7
BSN130EPDMX	13.0	0.510	15.25	0.7
BSN140EPDMX	14.0	0.550	15.75	0.7
BSN150EPDMX	15.0	0.590	16.25	0.7
BSN160EPDMX	16.0	0.630	16.75	0.7
BSN170EPDMX	17.0	0.670	17.25	0.7
BSN180EPDMX	18.0	0.708	17.75	0.7
BSN190EPDMX	19.0	0.748	18.25	0.7
BSN200EPDMX	20.0	0.787	18.75	0.7
BSN210EPDMX	21.0	0.825	19.25	0.7
BSN220EPDMX	22.0	0.866	19.75	0.7
BSN225EPDMX	22.5	0.885	19.00	0.7
BSN230EPDMX	23.0	0.905	20.25	0.7
BSN240EPDMX	24.0	0.945	20.75	0.7
BSN250EPDMX	25.0	0.984	21.25	0.7
BSN255EPDMX	25.5	1.000	21.50	0.7
BSN260EPDMX	26.0	1.023	21.75	0.7
BSN270EPDMX	27.0	1.062	22.25	0.7
BSN280EPDMX	28.0	1.102	22.75	0.7
BSN290EPDMX	29.0	1.141	23.25	0.7
BSN300EPDMX	30.0	1.181	23.75	0.7
BSN310EPDMX	31.0	1.220	24.25	0.7
BSN330EPDMX	33.0	1.300	25.25	0.7
BSN340EPDMX	34.0	1.340	25.75	0.7
BSN350EPDMX	35.0	1.377	26.25	0.7
BSN630EPDMX	63.0	2.480	40.25	0.7

**MOST ITEMS AVAILABLE EX-STOCK**

**DISCOUNTS AVAILABLE ON VOLUME ORDERS**

**BIRMINGHAM SPECIALITIES LTD**

Lincoln Works, Moor Lane, Witton, Birmingham  
B6 7HE, United Kingdom

[www.bhamspec.co.uk](http://www.bhamspec.co.uk)

+44 (0) 121 356 5026

+44 (0) 121 356 9198

[sales@bhamspec.co.uk](mailto:sales@bhamspec.co.uk)

