



BSR PF 25 SERIES

HEAT SHRINK HOSE CLIP



FIXING HOLE

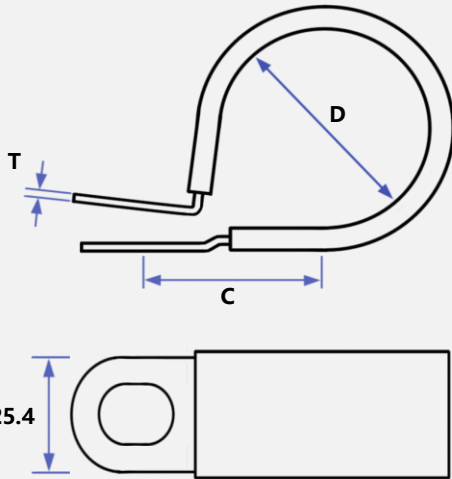
M12/M14



BAND WIDTH

25.4mm

DIMENSIONAL SPECIFICATIONS



Part Ref	Diameter D Inch	Diameter D mm	Centre C mm	Gauge T mm
BSR100PF	1.00	25.4	27.20	1.2
BSR123PF	1.23	31.3	32.92	1.2
BSR150PF	1.50	38.1	36.50	1.2
BSR155PF	1.55	39.4	36.90	1.2
BSR175PF	1.75	44.5	39.67	1.2
BSR189PF	1.89	48.0	41.60	1.2
BSR200PF	2.00	50.8	42.85	1.2
BSR225PF	2.25	57.2	46.03	1.2
BSR250PF	2.50	63.5	49.10	1.2
BSR275PF	2.75	70.0	52.40	1.2
BSR287PF	2.87	73.0	54.00	1.2
BSR356PF	3.56	90.3	62.70	1.2

FIXING HOLES

Top 17.5 x 14.2mm
Bottom 17.5 x 14.2mm

BAND MATERIAL

Zinc Coated Mild Steel

LINER MATERIAL

Black H32 Polyolefin
Increased Thickness for Vibrational
Resistance

Alternative Liners available
on request



MOST ITEMS AVAILABLE EX-STOCK
DISCOUNTS AVAILABLE ON VOLUME ORDERS

BIRMINGHAM SPECIALITIES LTD

Lincoln Works, Moor Lane, Witton, Birmingham
B6 7HE, United Kingdom

www.bhamspec.co.uk

+44 (0) 121 356 5026
+44 (0) 121 356 9198
sales@bhamspec.co.uk