



BSS EPDM SERIES

EPDM LINED HOSE CLIP



FIXING HOLE

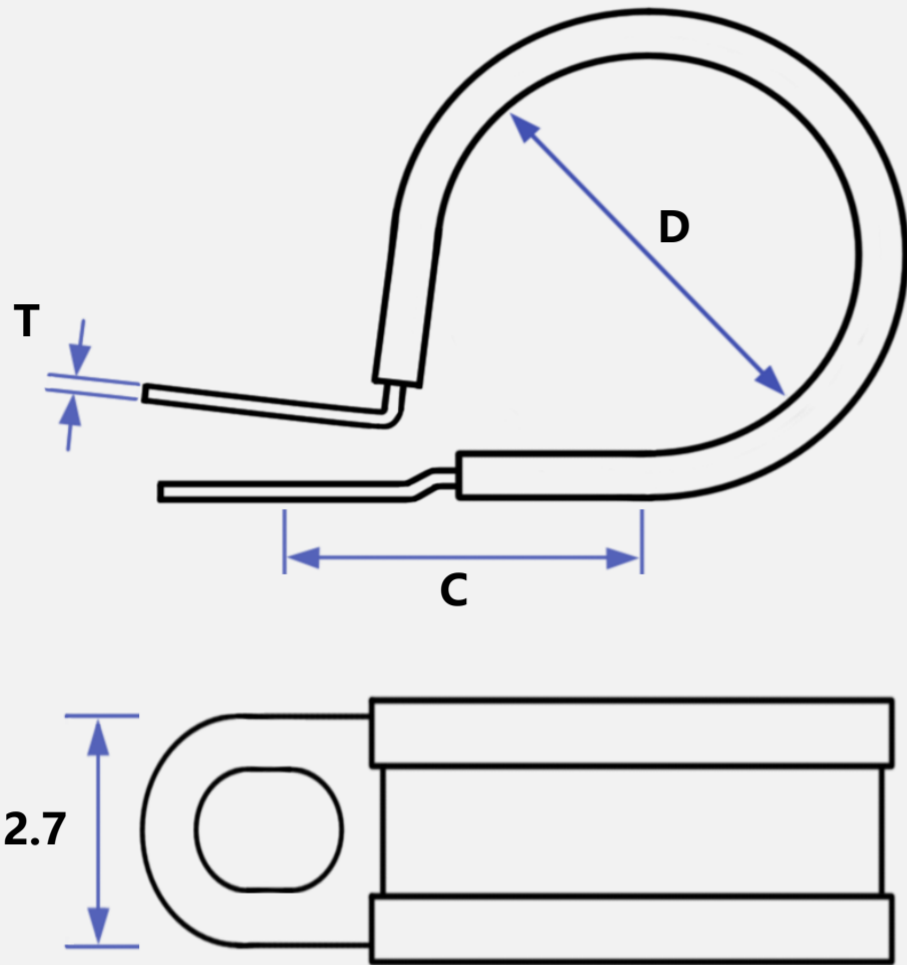
M6



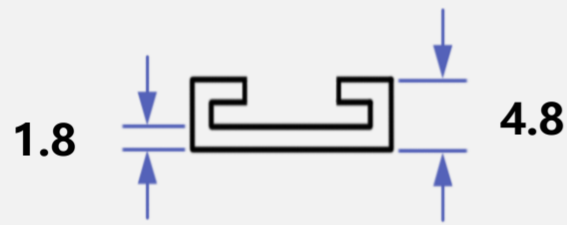
BAND WIDTH

12.7mm

DIMENSIONAL SPECIFICATIONS



SLEEVE DIMENSIONS



FIXING HOLES

Top Ø7.0mm
Bottom 7.0 x 9.0mm

BAND MATERIAL

Stainless Steel to EN10088-2 / BS1449

LINER MATERIAL

Black Flexible EPDM 70 IRHD Hardness
Halogen Free

**Alternative Liners available
on request**



Part Ref	Diameter D mm	Diameter D Inch	Centre C mm	Gauge T mm
BSS060EPDMX	6.0	0.24	15.30	0.7
BSS080EPDMX	8.0	0.31	16.30	0.7
BSS100EPDMX	10.0	0.39	17.30	0.7
BSS115EPDMX	11.5	0.46	17.00	0.7
BSS120EPDMX	12.0	0.47	18.30	0.7
BSS130EPDMX	13.0	0.51	18.50	0.7
BSS147EPDMX	14.7	0.58	19.70	0.7
BSS150EPDMX	15.0	0.59	19.80	0.7
BSS160EPDMX	16.0	0.63	20.30	0.9
BSS180EPDMX	18.0	0.71	21.30	0.9
BSS190EPDMX	19.0	0.75	21.70	0.9
BSS200EPDMX	20.0	0.78	22.30	0.9
BSS220EPDMX	22.0	0.87	23.30	0.9
BSS250EPDMX	25.0	0.98	24.80	0.9
BSS280EPDMX	28.0	1.10	26.30	0.9
BSS290EPDMX	29.0	1.14	26.80	0.9
BSS300EPDMX	30.0	1.18	27.30	0.9
BSS340EPDMX	34.0	1.34	29.30	0.9
BSS380EPDMX	38.0	1.50	31.30	0.9
BSS400EPDMX	40.0	1.57	32.30	0.9
BSS440EPDMX	44.0	1.73	34.30	0.9
BSS500EPDMX	50.0	1.97	37.30	0.9
BSS550EPDMX	55.0	2.19	39.80	0.9
BSS570EPDMX	57.0	2.24	40.80	0.9
BSS600EPDMX	60.0	2.36	42.30	0.9
BSS660EPDMX	66.0	2.60	45.30	0.9
BSS750EPDMX	75.0	2.95	40.30	0.9
BSS800EPDMX	80.0	3.15	52.30	0.9
BSS900EPDMX	90.0	3.54	57.30	0.9
BSS1000EPDMX	100.0	3.93	63.30	0.9
BSS1100EPDMX	110.0	4.33	66.00	0.9

**MOST ITEMS AVAILABLE EX-STOCK
DISCOUNTS AVAILABLE ON VOLUME ORDERS**

BIRMINGHAM SPECIALITIES LTD

Lincoln Works, Moor Lane, Witton, Birmingham
B6 7HE, United Kingdom

www.bhamspec.co.uk

+44 (0) 121 356 5026

+44 (0) 121 356 9198

sales@bhamspec.co.uk

