



# BSS HSUV SERIES

## HEAT SHRINK HOSE CLIP



FIXING HOLE

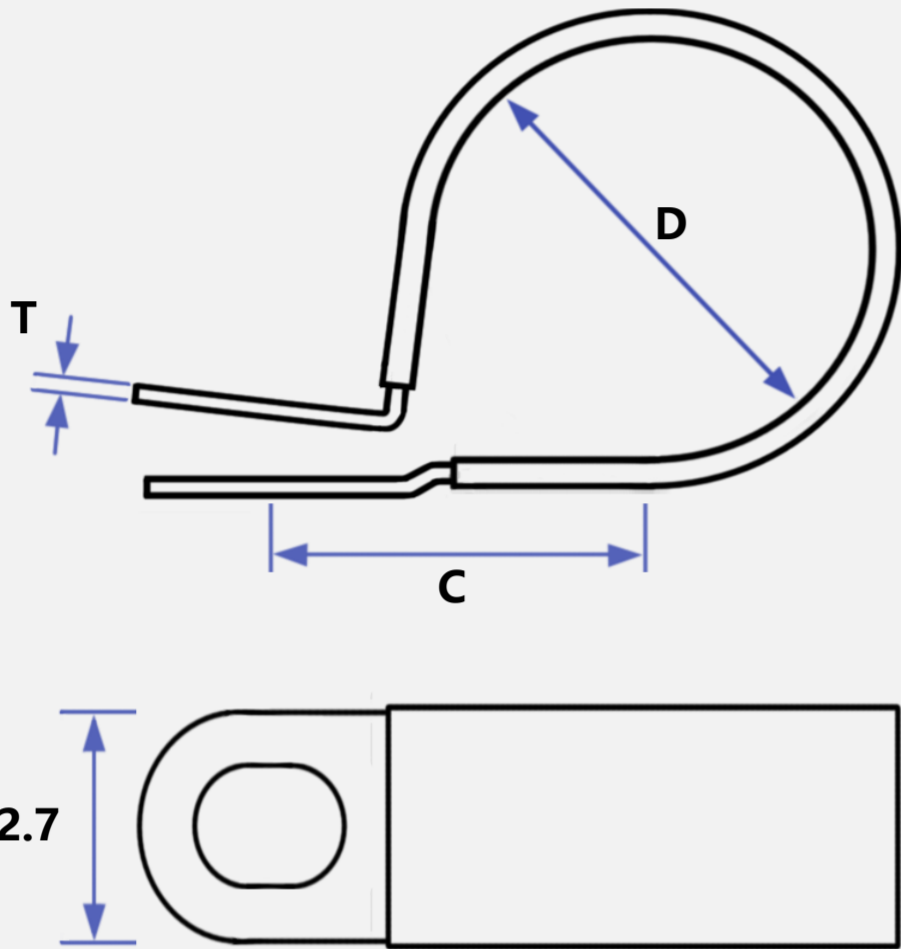
**M5**



BAND WIDTH

**12.7mm**

### DIMENSIONAL SPECIFICATIONS



| Part Ref   | Diameter D<br>mm | Diameter D<br>Inch | Centre C<br>mm | Gauge T<br>mm |
|------------|------------------|--------------------|----------------|---------------|
| BSS060HSUV | 6.0              | 0.24               | 12.95          | 0.7           |
| BSS080HSUV | 8.0              | 0.31               | 13.19          | 0.7           |
| BSS100HSUV | 10.0             | 0.39               | 14.50          | 0.7           |
| BSS120HSUV | 12.0             | 0.47               | 15.50          | 0.7           |
| BSS160HSUV | 16.0             | 0.63               | 17.00          | 0.7           |
| BSS180HSUV | 18.0             | 0.71               | 18.37          | 0.7           |
| BSS220HSUV | 22.0             | 0.87               | 21.50          | 0.7           |
| BSS270HSUV | 27.0             | 1.06               | 24.00          | 0.7           |

### FIXING HOLES

Top      Ø5.1mm  
Bottom    5.1 x 6.1mm

### BAND MATERIAL

Stainless Steel Grade 316  
to EN10088-2 / BS1449

### LINER MATERIAL

Black Polyolefin  
UV Stable/Resistant

**Alternative Liners available  
on request**



**MOST ITEMS AVAILABLE EX-STOCK  
DISCOUNTS AVAILABLE ON VOLUME ORDERS**

## BIRMINGHAM SPECIALITIES LTD

Lincoln Works, Moor Lane, Witton, Birmingham  
B6 7HE, United Kingdom

[www.bhamspec.co.uk](http://www.bhamspec.co.uk)

☎ +44 (0) 121 356 5026  
☎ +44 (0) 121 356 9198  
✉ [sales@bhamspec.co.uk](mailto:sales@bhamspec.co.uk)