



BST

SERIES
HEAVY DUTY
LINED HOSE CLIP



FIXING HOLE

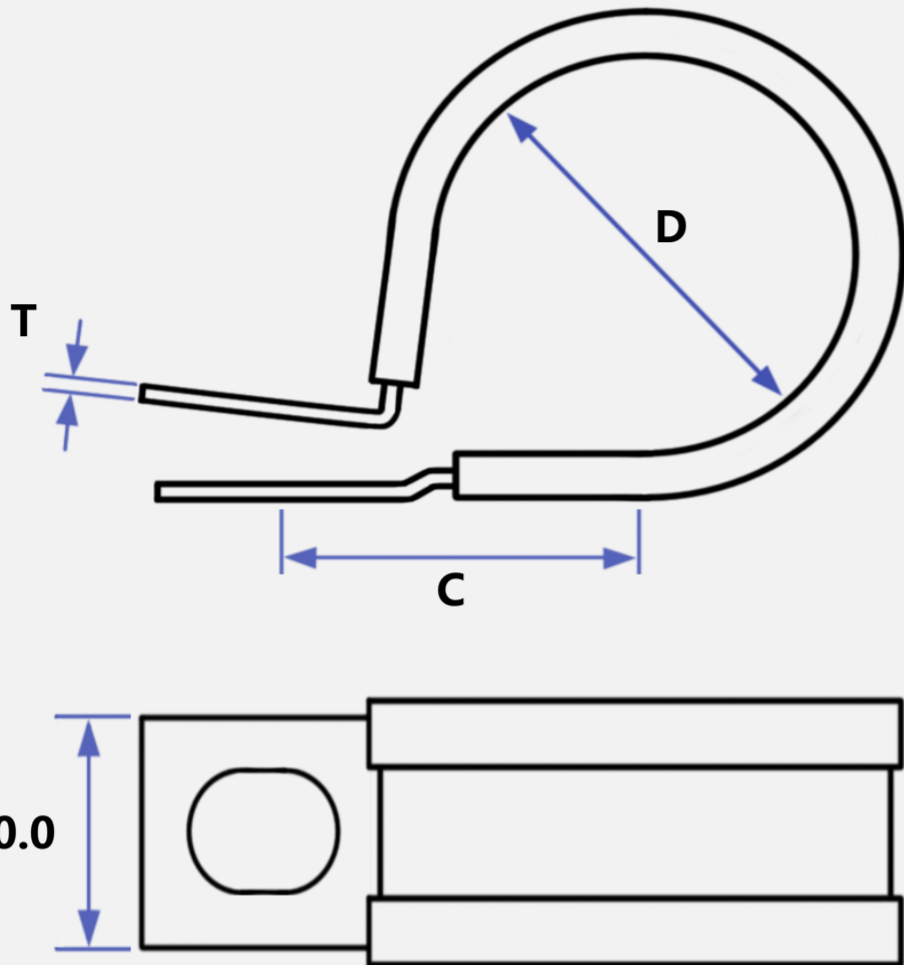
M10



BAND WIDTH

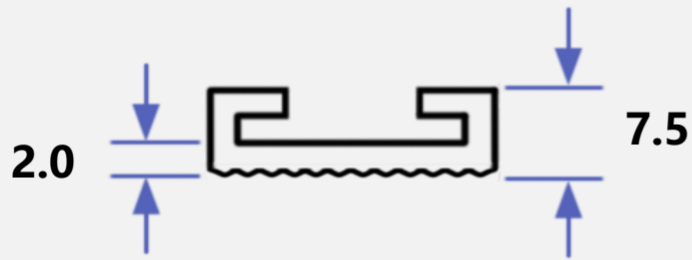
20.0mm

DIMENSIONAL SPECIFICATIONS



Part Ref	Diameter D Inch	Diameter D mm	Centre C mm	Gauge T mm
BST127	0.50	12.7	35.00	1.5
BST157	0.62	15.7	37.00	1.5
BST167	0.66	16.7	38.00	1.5
BST178	0.70	17.8	32.00	1.5
BST190	0.75	19.0	39.00	1.5
BST210	0.83	21.0	40.00	1.5
BST240	0.95	24.0	37.00	1.5
BST300	1.18	30.0	39.00	1.5
BST333	1.31	33.3	46.00	2.0
BST348	1.37	34.8	47.00	2.0
BST380	1.50	38.0	44.00	2.0
BST420	1.65	42.0	50.00	3.0
BST445	1.75	44.5	55.00	3.0
BST508	2.00	50.8	60.00	3.0
BST539	2.13	53.9	65.00	3.0
BST572	2.25	57.2	65.00	3.0
BST635	2.50	63.5	70.00	3.0
BST700	2.76	70.0	80.00	3.0
BST860	3.38	86.0	71.50	3.0
BST905	3.56	90.5	85.00	3.0

SLEEVE DIMENSIONS



FIXING HOLES

Top Ø10.5mm
Bottom 10.5 x 12.5mm

BAND MATERIAL

Zinc Coated Mild Steel

LINER MATERIAL

Black Flexible EPDM Ribbed

**Alternative Liners available
on request**



MOST ITEMS AVAILABLE EX-STOCK
DISCOUNTS AVAILABLE ON VOLUME ORDERS

BIRMINGHAM SPECIALITIES LTD

Lincoln Works, Moor Lane, Witton, Birmingham
B6 7HE, United Kingdom

www.bhamspec.co.uk

+44 (0) 121 356 5026

+44 (0) 121 356 9198

sales@bhamspec.co.uk

