

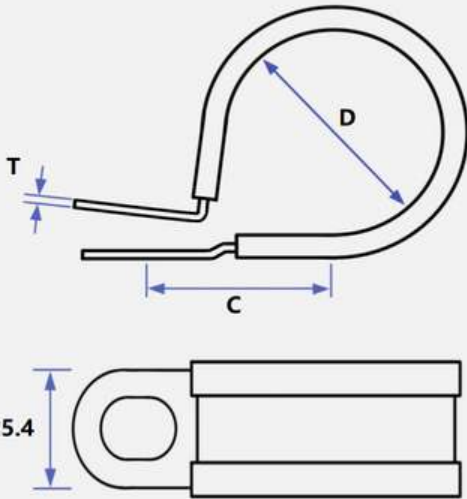


Fixing Hole - M12

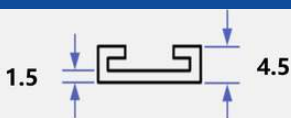


Band Width - 25.4mm

Dimensional Specifications



Sleeve Dimensions



Fixing Holes

Top - Ø12.7mm
Bottom - 12.7 x 14.2mm

Band Material

Zinc Coated Mild Steel

Liner Material

Black Flexible PVC to BS2571

**Alternative Liners available
at request*

Part Ref	Diameter D (Inch)	Diameter D (mm)	Center C (mm)	Gauge T (mm)
BSL083 X 1	0.83	21.08	29.00	1.2
BSL106/254	1.06	26.92	31.50	1.2
BSL123	1.23	31.25	33.00	1.2
BSL131	1.31	33.30	31.00	1.2
BSL137	1.37	34.80	31.75	1.2
BSL142	1.42	36.07	32.34	1.2
BSL150	1.50	38.00	33.50	1.2
BSL155	1.55	39.40	34.00	1.2
BSL160	1.60	40.65	34.60	1.2
BSL165	1.65	42.00	41.00	1.2
BSL175	1.75	44.50	40.30	1.2
BSL200	2.00	50.80	40.50	1.2
BSL212	2.12	53.90	42.00	1.2
BSL225	2.25	57.20	43.50	1.2
BSL236	2.36	60.00	45.00	1.2
BSL250	2.50	63.50	45.10	1.2
BSL275	2.75	70.00	50.00	1.2
BSL287	2.87	73.00	53.50	1.2
BSL300	3.00	76.20	55.00	1.2
BSL325	3.25	82.50	58.20	1.2
BSL356	3.56	90.30	61.40	1.2
BSL374	3.74	95.00	59.50	1.2
BSL395	3.95	100.45	74.55	1.2
BSL551	5.51	140.00	93.50	1.2