



Fixing Hole - M10

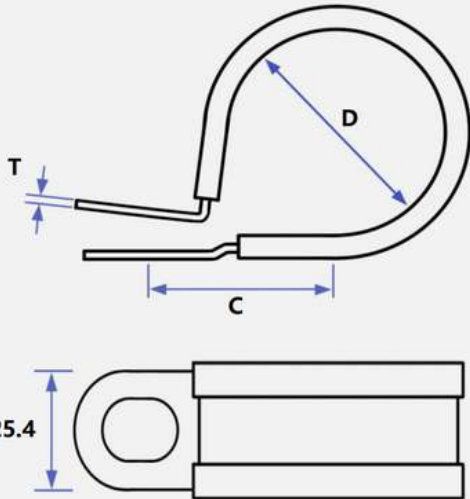


Band Width - 25.4mm

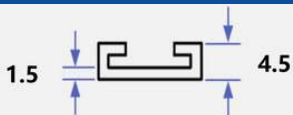


Part Ref	Diameter D (Inch)	Diameter D (mm)	Center C (mm)	Gauge T (mm)
BSG123	1.23	31.25	33.00	1.2
BSG131	1.31	33.30	31.00	1.2
BSG165	1.65	42.00	41.00	1.2
BSG177	1.77	44.95	43.00	1.2

Dimensional Specifications



Sleeve Dimensions



Fixing Holes

Top - $\text{Ø}11.5\text{mm}$
Bottom - $\text{Ø}11.5\text{mm}$

Band Material

Zinc Coated Mild Steel

Liner Material

Black Flexible PVC to BS2571

**Alternative Liners available
at request*